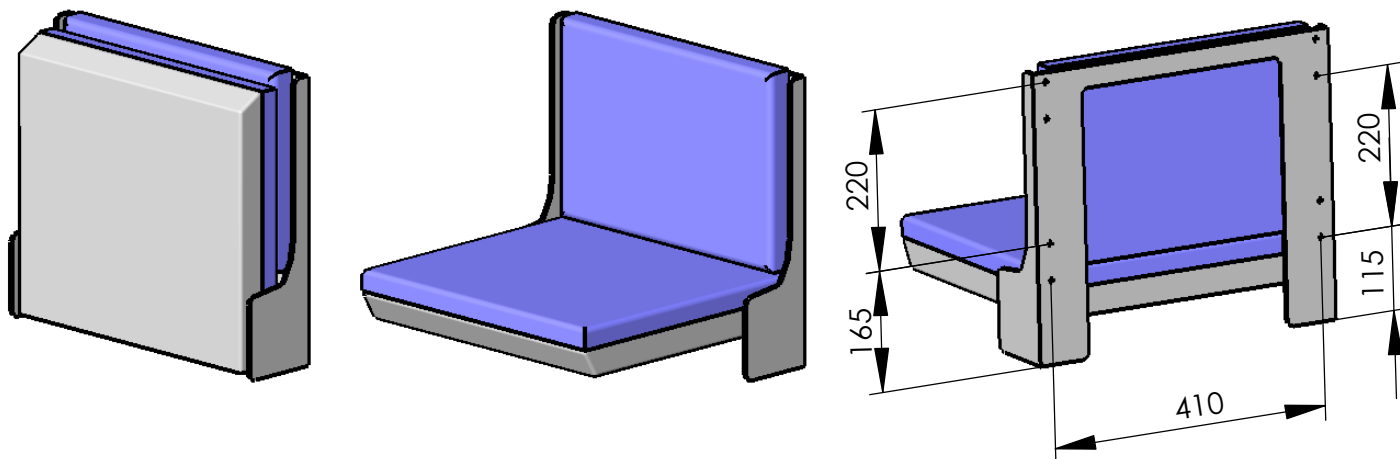


Model 121-13

Elevator seat

to replace damaged seat with compatible hole pattern



2 alternative hole patterns
 for 4 screws M6 at a time.

Please use socket head screws M6-DIN 912
 with washers 6,4-DIN 125 (not included).

